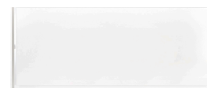


**Ceiling unit  
Pureline 120 cm  
White**



EAN 5414425068449

**Energy label**

▪ Energy Efficiency class (EEIhood)	A++
▪ Annual Energy Consumption (kWh/year) (AEChood)	24,6
▪ Fluid Dynamic Efficiency class (FDEhood)	A
▪ Lighting Efficiency class (LEhood)	-
▪ Grease Filtering Efficiency class (GFEhood)	E

**Functions & features**

▪ Control method	Push buttons + Remote control
▪ Number of speeds	3 + power
▪ Automatic Power revert (minutes)	6
▪ Motor	Integrated & Remote
▪ Sound absorber	Integrated
▪ Recirculation	Optional
▪ InTouch function	Standard
▪ Auto stop	▪
▪ Delayed switch off (minutes)	10/30
▪ Number of grease filters	2
▪ Grease filter	6830020
▪ Grease filter cleaning indication	▪
▪ Recirculation filter cleaning indication	▪

**Dimensions**

▪ Product dimensions (WxDxH) (mm)	1168 x 508 x 319
▪ Height incl. mounting clamps (without motorbox) (mm)	133
▪ Width flange (mm)	15
▪ Dimensions cut-out opening (WxD) (mm)	1145 x 485
▪ Advised mounting height induction hobs (Hmin-Hmax) (mm)	600 - 1600
▪ Advised mounting height gas hobs (Hmin-Hmax) (mm)	650 - 1600
▪ Advised mounting height ceramic hobs (Hmin-Hmax) (mm)	600 - 1600
▪ Diameter outlet (mm)	150
▪ Position exhaust	Top, Right, Left, Front, Back

**Lighting**

▪ Functional light dimmable	-
▪ Soft-ON/OFF	-
▪ External light connector	220-230V / max 300W / Not Dimmable

**Airflow and noise level**

▪ Free airflow (m³/h)	815
▪ Airflow (m³/h) measured according to EN 61591	
▪ Sound regulation according to EN 60704-2-13	

## Airflow and noise level

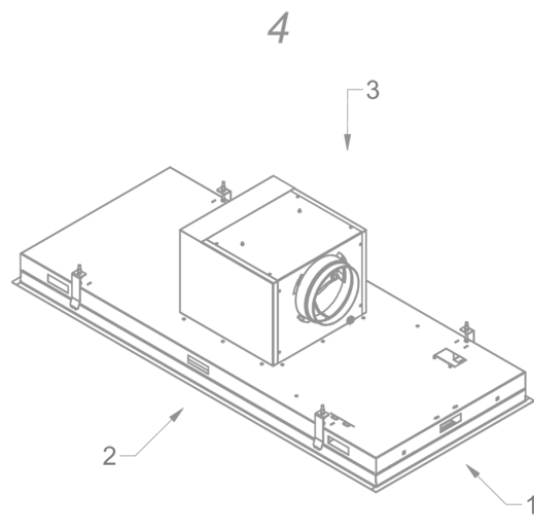
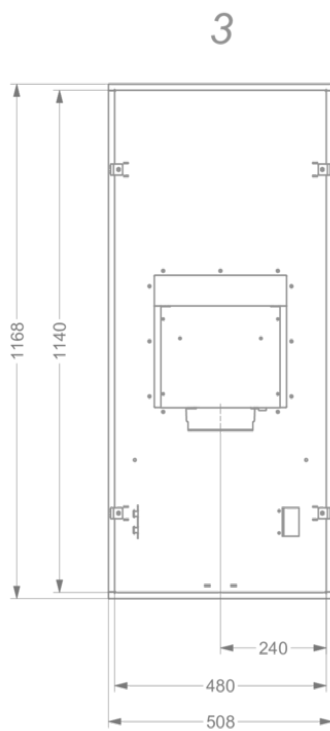
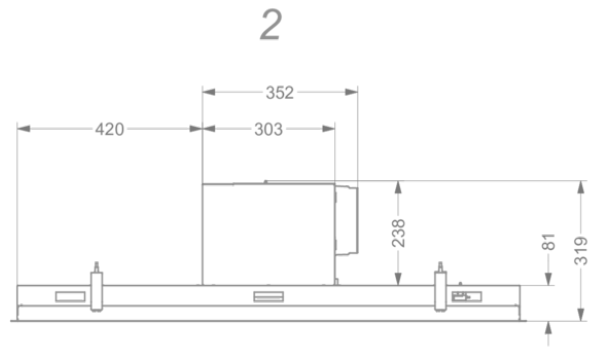
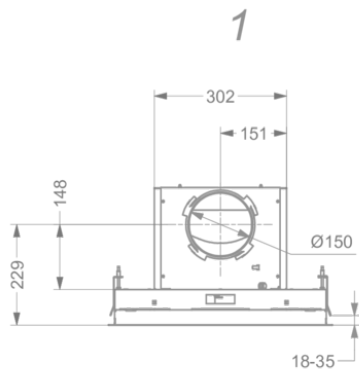
---

▪ Airflow duct out speed 1 (m <sup>3</sup> /h) / Max pressure duct out speed 1 (Pa)	227 / 69
▪ Airflow duct out speed 2 (m <sup>3</sup> /h) / Max pressure duct out speed 2 (Pa)	399 / 240
▪ Airflow duct out speed 3 (m <sup>3</sup> /h) / Max pressure duct out speed 3 (Pa)	530 / 381
▪ Airflow duct out max powerspeed (m <sup>3</sup> /h) (Qboost) / Max pressure duct out max powerspeed (Pa)	611 / 382
▪ Sound pressure duct out speed 1 (dB(A)) / Sound power duct out speed 1 (dB(A))	26 / 36
▪ Sound pressure duct out speed 2 (dB(A)) / Sound power duct out speed 2 (dB(A))	35 / 46
▪ Sound pressure duct out speed 3 (dB(A)) / Sound power duct out speed 3 (dB(A))	42 / 55
▪ Sound pressure duct out at max powerspeed (dB(A)) / Sound power duct out at max powerspeed (dB(A)) (LWAboost)	46 / 57

## Technical specifications

---

▪ Maximum power (W)	105
▪ Voltage cooker hood (V)	230
▪ Frequency (Hz)	50
▪ Length power supply cord (m)	1,2
▪ Power consumption in stand-by-mode (Ps) (W)	0.29
▪ Net weight (kg)	24



## Installation accessories

---

### Dissociated motor

- 800997

Kit to place motor at distance Pureline  
6830/6831/6833/6834/6840/6841/6843/6844 ≥V19;  
Pureline Pro 6930/6931/6932/6940/6941/6942 ≥V02

### Extension cable

- 700094

Extension cable 5 m

## Accessories

---

### Recirculation box



841400

recirculation box with monoblock white (270x500mm)



842400

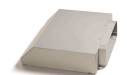
recirculation box with monoblock black (270x500mm)



843400

recirculation box with monoblock grey (270x500mm)

### Adapter for limited installation height



6830053

Adapter for limited installation height 17,3 cm

### Control kit



990030

Control kit for external lighting or valve

## Efficiency Curve

